

POWER UNIT DOUBLE ACTING CIRCUIT

MODEL **10** & **11**



This power unit has a double acting circuit with SAE#6 (9/16-18) A & B ports. The 2 position/2 way cartridge has an internal piloted check valve to prevent internal bypass and maintain constant pressure. This circuit design also utilize a cartridge check and adjustable relief valve on the main and B port(internal on opt11). The magnetic two button remote control comes with holder and 6 meter of cable, which has a quick connection at the motor. The gear pump is equipped with a suction screen attach to a 90° elbow inside the tank which comes with a 3/4" NPT breather/dipstick.

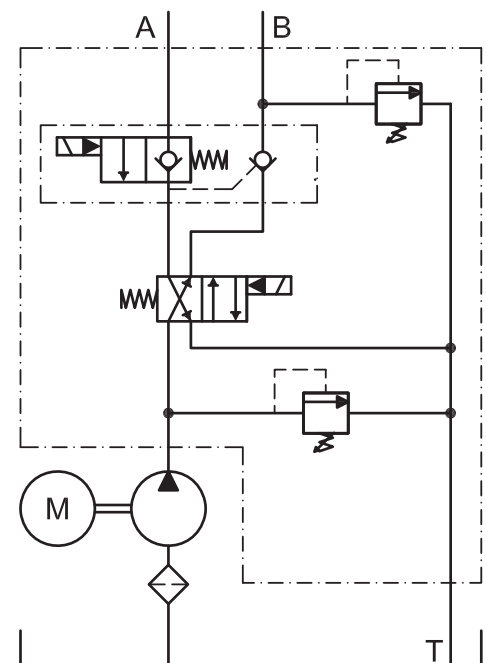
OPTIONS:

- ▶ **Motor:** DC 12 & 24v, or AC 115/230V, single phase or AC 230/460/575V three phase
- ▶ **Tank:** From 1.7 liters to 23.5 liters. Plastic or Steel
- ▶ **Pump:** 0.8, 1.0, 1.3, 1.6, 2.1, 2.5, 3.2 and 4.2cc available
- ▶ 10' remote control cable extension
- ▶ **Mounting:** Vertical or Horizontal



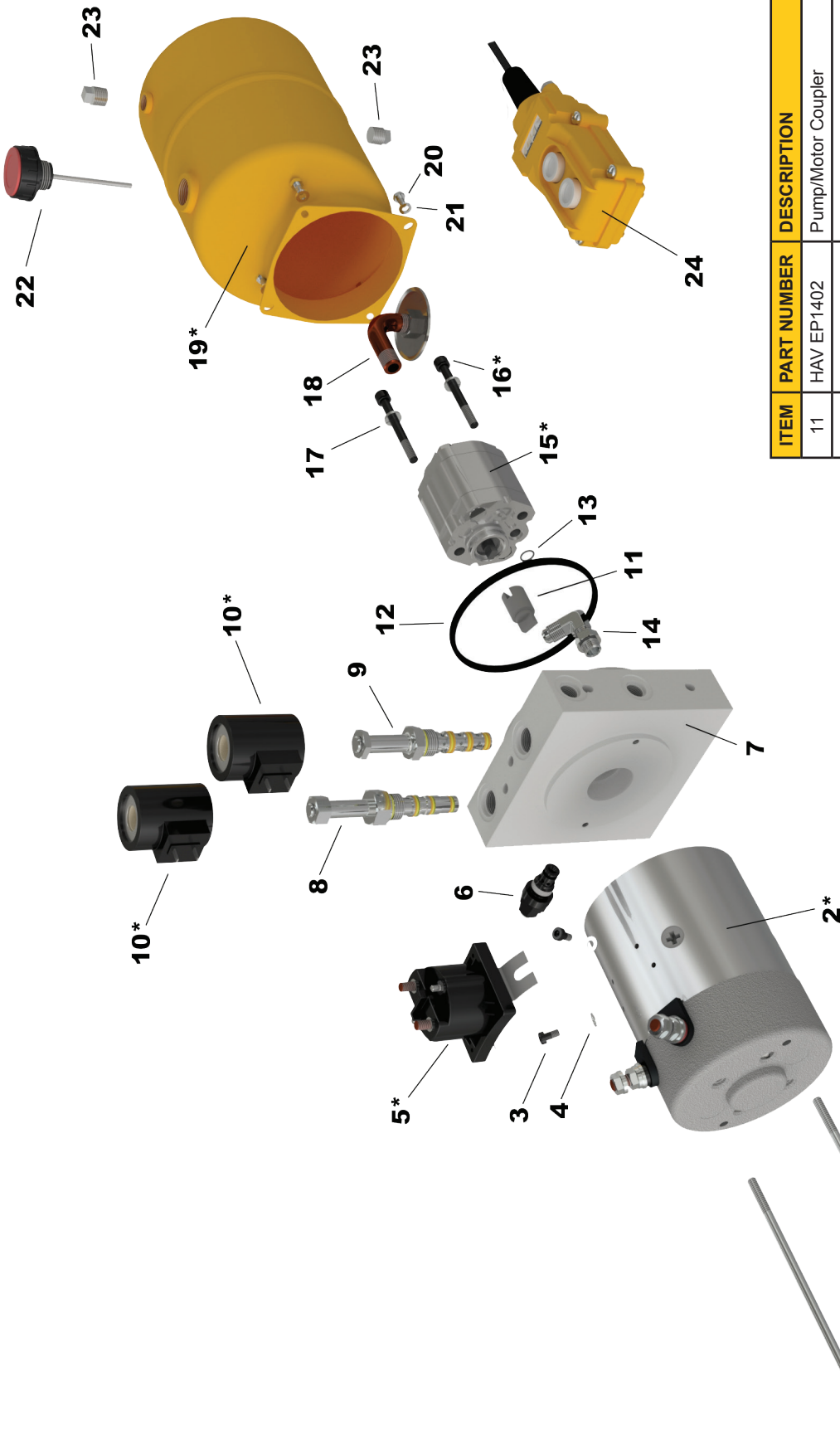
TYPICAL APPLICATION:

- ▶ **Power Up / Power Down System**
- ▶ **Tailgate (with pressure comp. flow control)**
- ▶ **Dump Trailer**
- ▶ **Compactor**
- ▶ **Presses**
- ▶ **Lift Equipment**



MODEL 10 AND 11

All numbers given are nominal values and should be used for reference only. All product specifications are subject to change without prior notice.



ITEM	PART NUMBER	DESCRIPTION	QTY
11	HAV EP1402	Pump/Motor Coupler	1
12	HAV EP1033	Tank O-Ring	1
13	AS-568-012	O-Ring	1
14	HAV EP1722	Block Elbow 90°	1
15	HAV EP1210*	Pump	1
16	HAV EP1217*	Pump Bolt	2
17	HAV EP1218	Lockwasher (Pump Bolt)	2
18	HAV EP1401B	Screen Filter Suction Elbow	1
19	HAV EP1013*	Tank	1
20	HAV EP1004	Tank Bolt	4
21	HAV EP1005	Lockwasher (Tank Bolt)	4
22	HAV EP1024	Breather	1
23	HAV EP10034	Tank Plug	2
24	HAV EP1424-21	Remote Control	1

ITEM	PART NUMBER	DESCRIPTION	QTY
1	HAV EP1331	Motor Bolts	2
2	HAV EP1312A*	Motor	1
3	HAV EP1040	Solenoid Bolt	2
4	HAV EP1041	Solenoid Washer	2
5	HAV EP1301A*	Solenoid	1
6	HAV EP1601	Relief Valve	1
7	HAV EP1605-3	Block	1
8	HAV EP1105B	2 Way / 2 Position Valve	1
9	HAV EP1105A	4 Way / 2 Position Valve	1
10	HAV EP1101C-10*	Coil 10v DC	2

* ITEMS SUCH AS MOTOR, PUMP, PUMP BOLTS, COILS, SOLENOID AND TANK HAVE DIFFERENT ORDERING PART NUMBERS DEPENDING ON OPTION PURCHASED ORIGINALLY. ALWAYS SPECIFY MODEL NUMBER AND SERIAL NUMBER WHEN ORDERING POWER UNIT PARTS

